

FP4Y



TOURING AND INSTALLTION YOKE FOR FLEXPOINT FP4

Features

- Touring and installation yoke
- Stand mount when used with pole mount adaptor ASF20045 (available separately)
- Truss mount when used with a third-party half-coupler
- Quick deployment with no tools required
- Allows close proximity mounting
- Central hole: 12.5 mm (0.49 in); two additional holes: 5 mm (0.20 in) each
- Available in black (FP4Y-B)

Applications

- Suitable for flown or pole-mounted FlexPoint FP4 in touring and installation setups

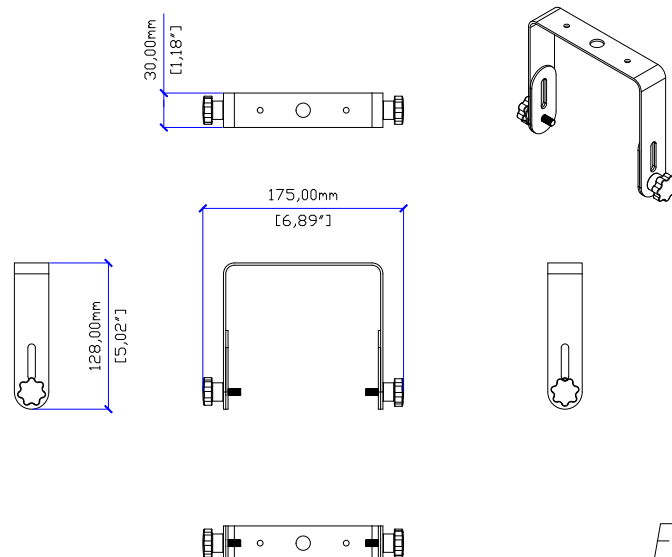
Contents

- 1 x FP4Y-B yoke

Technical Specifications

Weight: 0.2 kg (0.44 lb)

Material: Weatherised polyester powder coated steel



FP4Y